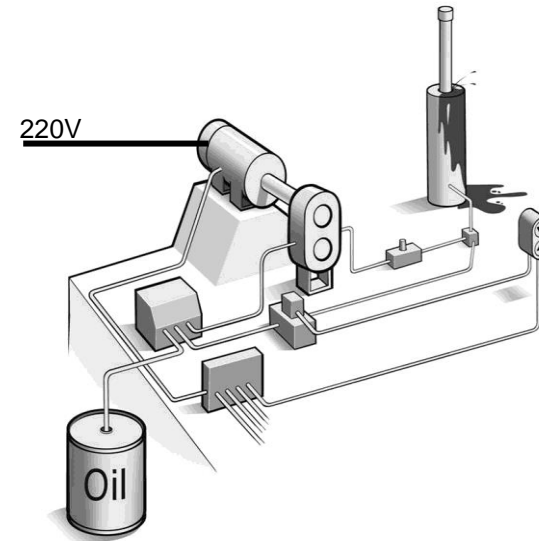


## **Opportunity 3**

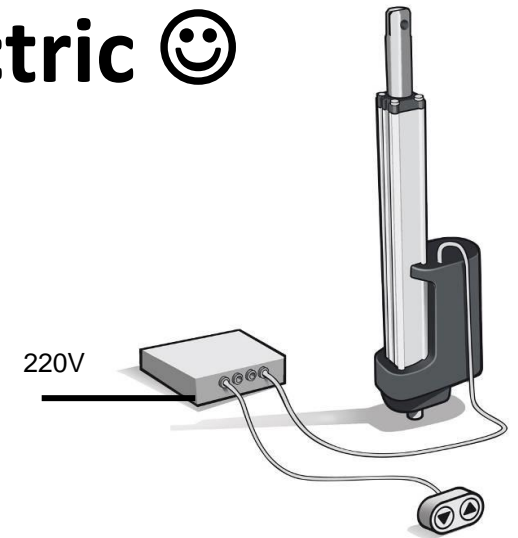
**TECHLINE™ – Local Feeder Production customizing Cables & Print**

**MFJ / January 2023**

# TECHLINE™ Linear Actuators

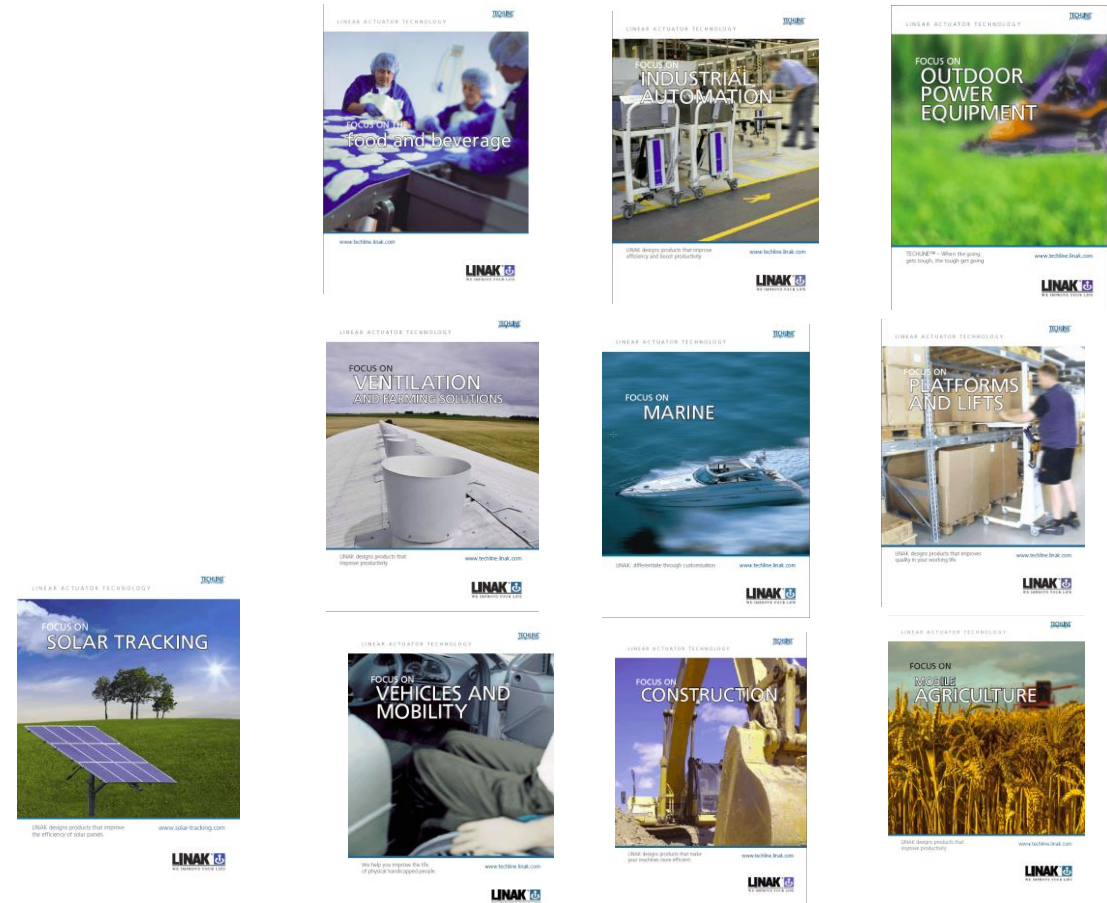
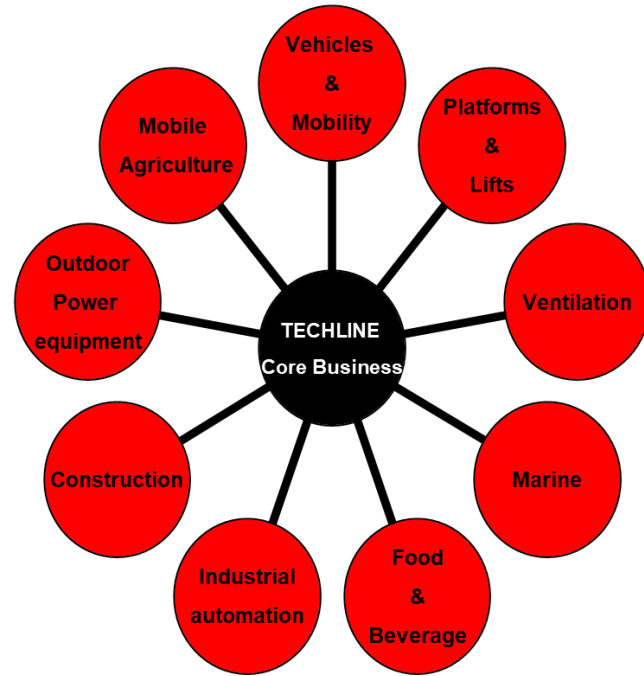


**Go Electric 😊**



LINAK actuator solutions for industrial applications are a benchmark of durability within electric linear movement. All components are tested to withstand harsh environments with a variety of stressors such as: Volatile temperatures, perpetual vibration, bumps, water or dust.

# Main application areas for TECHLINE™



A broad range of manufacturers within areas such as farming, agriculture, energy, construction and industrial machinery – just to mention a few – utilise LINAK actuator solutions to keep maintenance and downtime minimal, and pick solutions with Integrated Controller (IC) to optimise precision in application performance

# TECHLINE™ Local Feeder Production customizing Cables & Print



## Main processes:

1. Programming of Print
2. Wire soldering on Print
3. Strip and crimp of wires
4. Molding of AMP and Deutsch sockets

The cable production is manned with approx. 10-12 operators – running 3-shifts operation

There are 10 workstations whereof 6 workstations are tables for manual soldering processes

## InnovationSprint Challenge:

**Identify the most optimal Lean & Flexible Automation solution for the entire TECHLINE™ local Feeder Production of Cables & Print**



---

WE IMPROVE YOUR LIFE